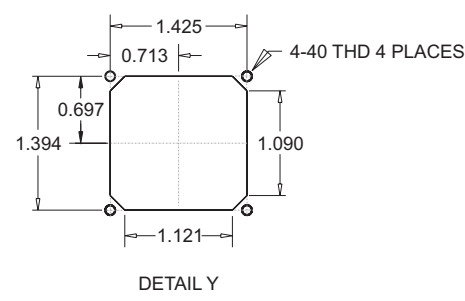
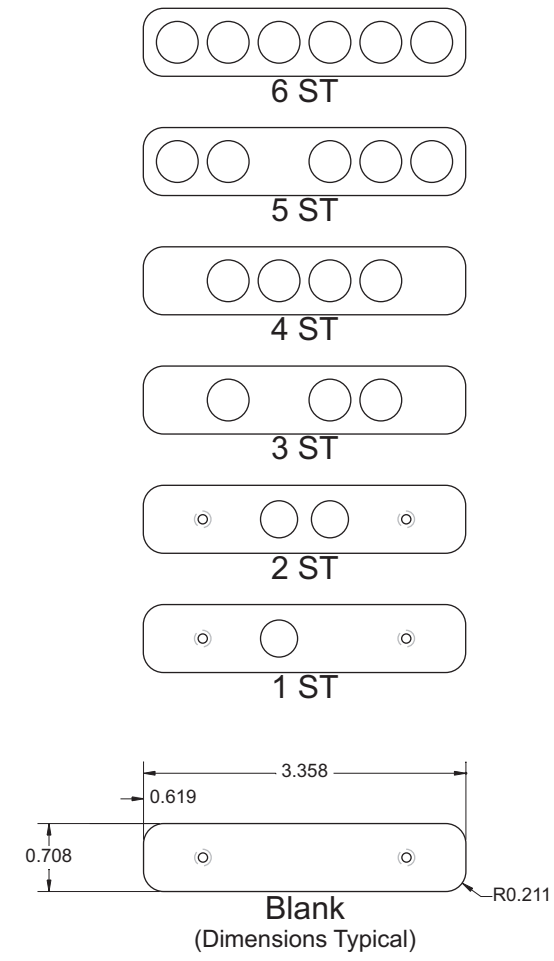
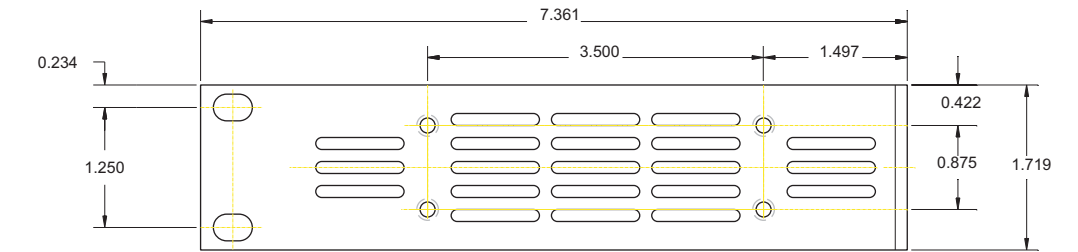
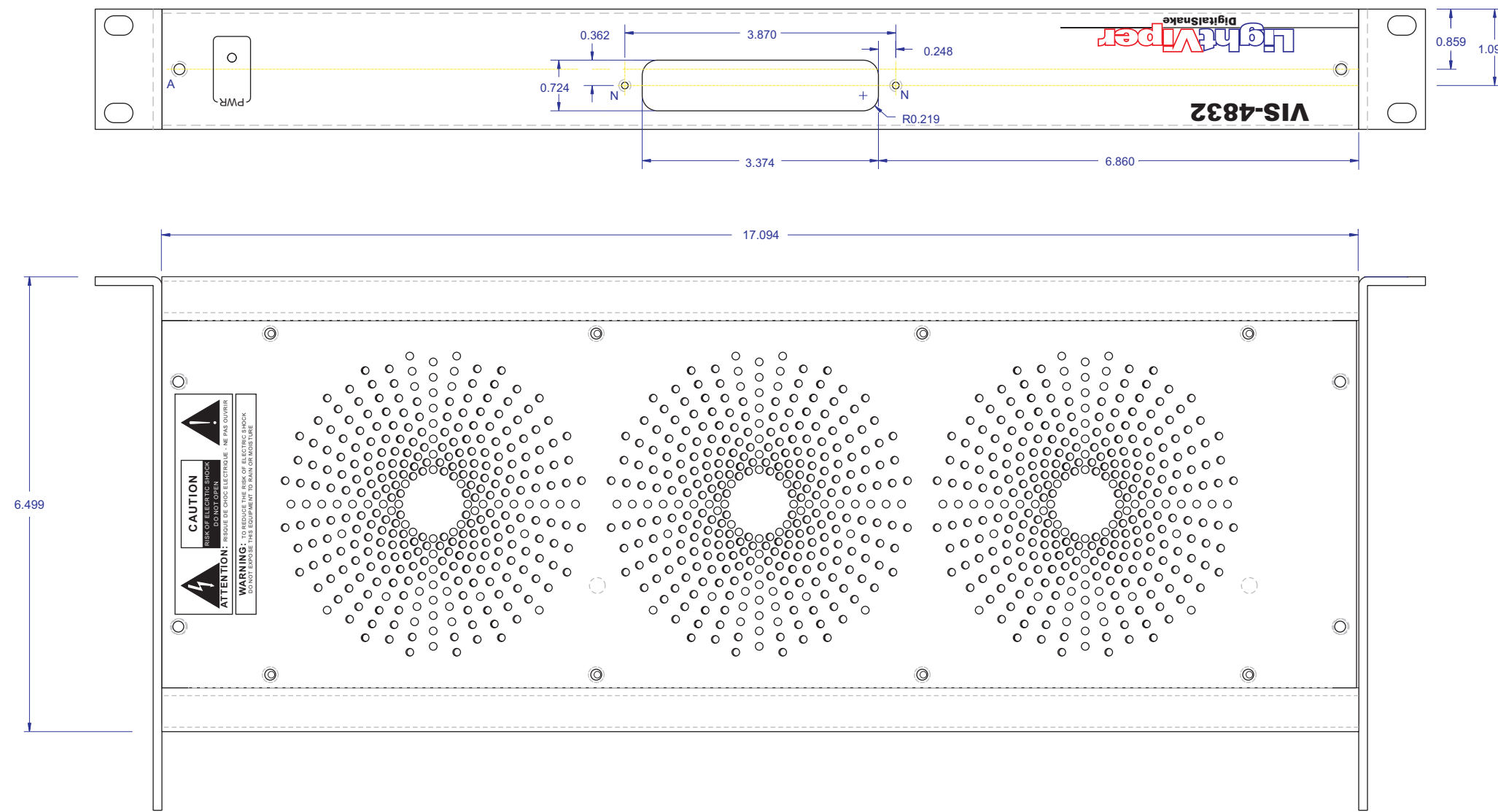
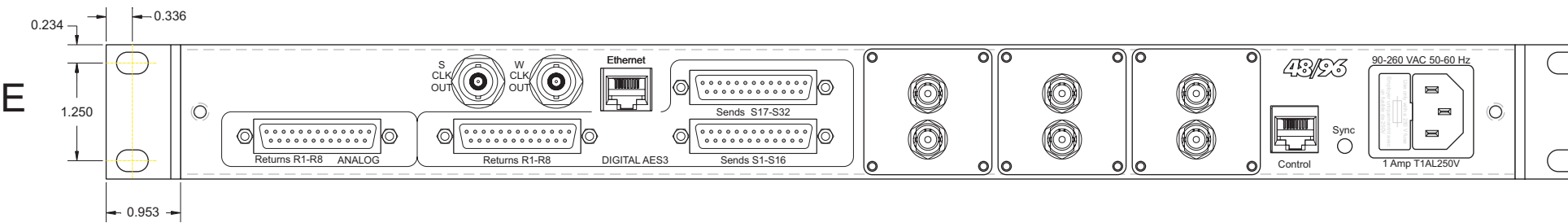


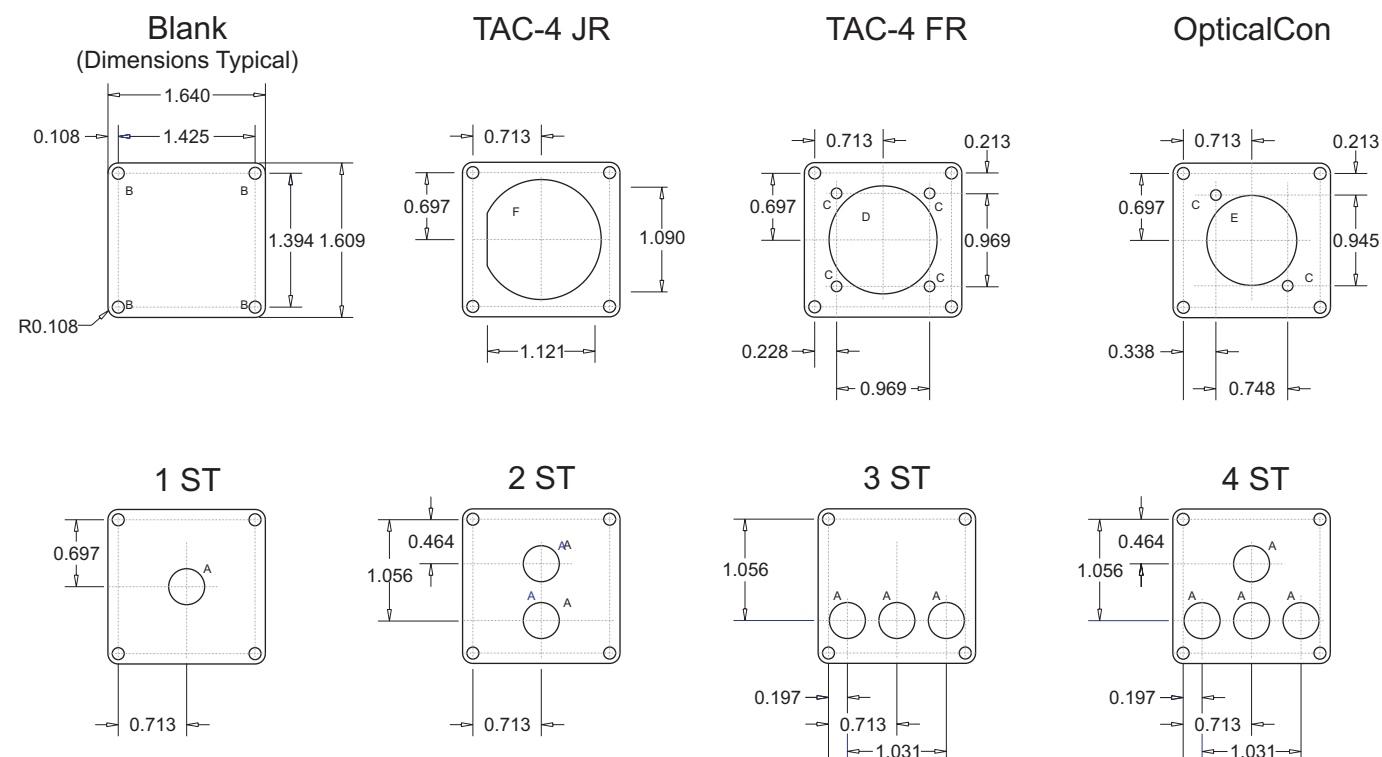
Alternate Optical Panels



VIS-4832-ST-E



Optional Optical Plates



UNLESS OTHERWISE SPECIFIED	
DIMENSIONS IN INCHES	
TOLERANCES:	
FRACTION +/- 1/64	
X.XX +/- 0.10	
X.XXX +/- 0.005	
ANGLES	
MATERIAL: #16 (0.059) CRS	
FINISH:	

ENGR. HSO III	DATE: 4/1/2006
DRAWN HSO III	DATE: 4/1/2006
REVIEW	DATE:
CHECKED	DATE:

FIBERPLEX INCORPORATED
10840-412 Guilford Rd.
Annapolis Junction, MD 20701
301-604-0100
Fiberplex.com

VIS-4832 Final

FSCM:	E	117127	REV: -
SCALE: 1:1	SHEET 1	OF 1	